

Stainless Steel Enclosures

EX-PB/S SERIES PUSH BUTTON

Push Button Station



The compact yet robust PB station comes in standard options of 1 to 9 hole configurations. The PB/S series adopts a flange mounting system for easy installation and robust fixing.

Features

- IP66
- 316 stainless steel
- Body construction 1.5mm
- Flange mounted
- Fully welded construction
- Captive screws
- Lid fastening post screws into stud
- Mounting pan 2mm powder coated white mild steel
- Earth strap kit
- 30mm PB holes
- 25mm conduit entry holes
- Options: 22mm holes (CI) - refer Legend

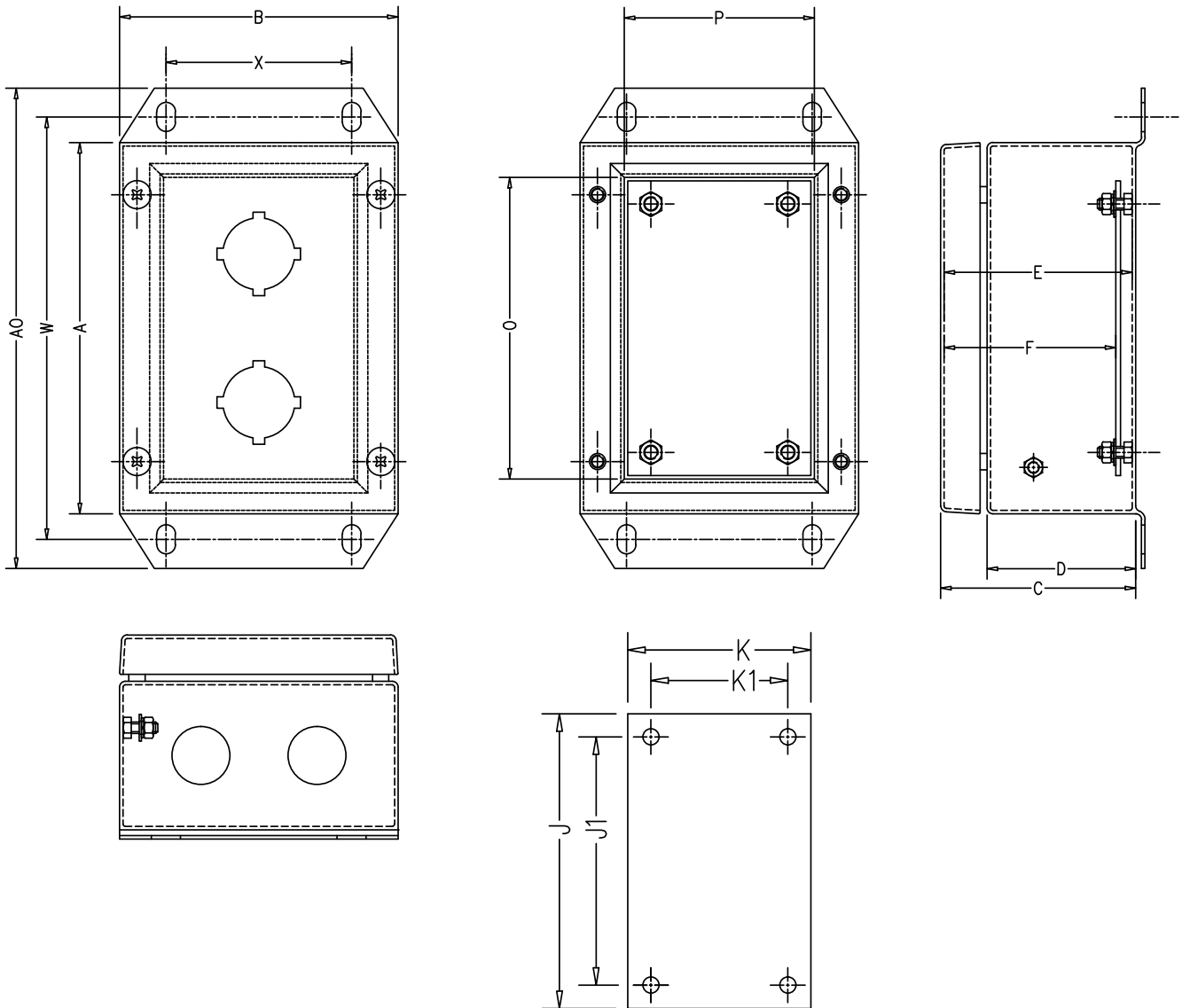
PUSH BUTTON ENCLOSURE	Dimensions (mm)			No Holes (30mm)	No Conduit Entry Holes	Useable Depth	Weight (kg)	Stock Code
	Model No.	Height	Width					
EX-130/S	120	120	84	1	1	81	1	S
EX-230/S	160	120	84	2	2	81	1.2	S
EX-330/S	220	120	84	3	2	81	1.6	S
EX-430/S	280	120	84	4	2	81	1.9	S
EX-530/S	336	120	84	5	2	81	2.3	S
EX-630/S	220	180	84	6	2	81	2.3	S
EX-830/S	280	180	84	8	2	81	2.7	S
EX-930/S	220	240	84	9	2	81	2.6	S



Technical Specifications

STAINLESS STEEL DIMENSIONS AND TECHNICAL DRAWINGS

EX-PB/S Series



Part No.	External Dimensions					Internal Dimensions		Mounting Pan				Opening Size		Fixing Centres		No. of Push Button Holes	Cable Entry Holes
	A	B	C	D	AO	E	F	J	K	J1	K1	O	P	W	X		
EX-130/S	120	120	84	64	167	81	74	87	79	52	44	90	82	142	80	1	1 x ϕ 25
EX-230/S	160	120	84	64	207	81	74	127	79	92	44	130	82	182	80	2	2 x ϕ 25
EX-330/S	220	120	84	64	267	81	74	187	79	152	44	190	82	242	80	3	2 x ϕ 25
EX-430/S	280	120	84	64	327	81	74	247	79	212	44	250	82	302	80	4	2 x ϕ 25
EX-530/S	336	120	84	64	383	81	74	303	79	268	44	306	82	358	80	5	2 x ϕ 25
EX-630/S	220	180	84	64	267	81	74	187	139	152	104	190	142	242	140	6	2 x ϕ 25
EX-830/S	280	180	84	64	327	81	74	247	139	212	104	250	142	302	140	8	2 x ϕ 25
EX-930/S	220	240	84	64	267	81	74	187	199	152	164	190	202	242	200	9	2 x ϕ 25