



Stainless Steel Enclosures

EX-INCTB/S TERMINAL BOX SLOPED ROOF

Terminal Box Sloped Roof



The Sloped Roof TB/S series is a new addition to the range. Unique features include 60mm overhang for added equipment protection. Ideal for mining & industrial applications where water and dust ingress is frequent.

Features

- IP66
- 316 stainless steel
- Body construction 1.5mm
- 30 degree sloped roof / 60mm over hang
- Flange mounted
- Fully welded construction
- Captive screws
- Polyurethane gasket
- Lid fastening post screws into stud
- Mounting pan 2mm powder coated white mild
- Earth strap kit

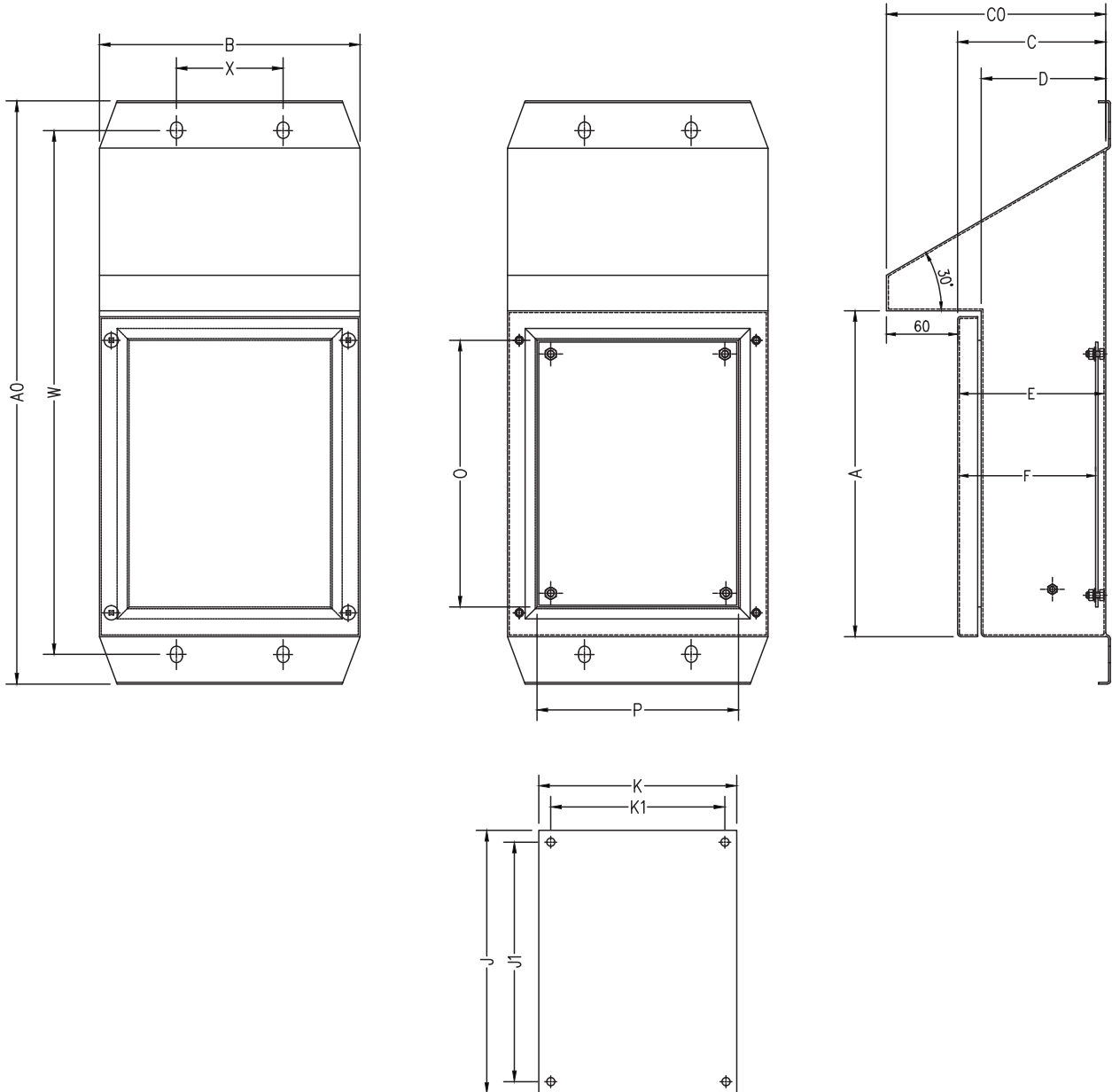
SLOPED ROOF TERMINAL BOX		Dimensions (mm)			Useable Depth	Weight (kg)	Stock Code
Model No.		Height	Width	Depth			
EX-INCTB1515125/S		150	150	125	115	2.2	S
EX-INCTB2722125/S		275	220	125	115	4.9	S
EX-INCTB3425125/S		340	250	125	115	6.4	S
EX-INCTB3030125/S		300	300	125	115	7.2	S



Technical Specifications

STAINLESS STEEL DIMENSIONS AND TECHNICAL DRAWINGS

EX-INCTB/S Series



Part No.	External Dimensions						Internal Dimensions		Mounting Pan				Opening Size		Fixing Centres	
	A	B	C	D	AO	CO	E	F	J	K	J1	K1	O	P	W	X
EX-INCTB1515125/S	150	150	125	105	367	185	122	115	97	97	77	77	100	100	317	70
EX-INCTB2722125/S	275	220	125	105	492	185	122	115	222	167	202	147	225	170	442	90
EX-INCTB3425125/S	340	250	125	105	557	185	122	115	287	197	267	177	290	200	507	170
EX-INCTB3030125/S	300	300	125	105	517	185	122	115	247	247	227	227	250	250	467	220